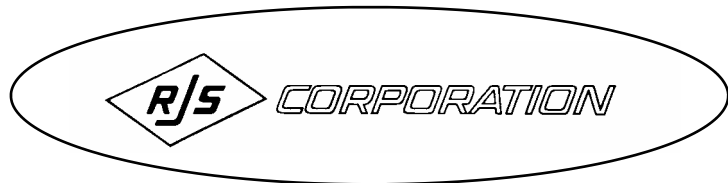


**MODEL 35**

**HIGH-SPEED AUTOMATIC  
BEAD COVERING MACHINE**

**FOR COVERING PASSENGER  
AND LIGHT TRUCK TIRES**

*Manufactured by:*



***RJS CORPORATION  
3400 MASSILLON ROAD  
AKRON, OHIO 44312  
USA***

***PHONE: 330-896-2387  
FAX: 330-896-3282  
www.rjscorp.com***

BULLETIN 35-564

## THE MODEL 35 HIGH SPEED AUTOMATIC BEAD COVERING MACHINE

### General Description

The Model 35 High Speed Automatic Bead Covering Machine is designed for applying square-woven, square-cut, calendered fabric circumferentially to an uncured tire bead. The machine features automatic fabric cut-off, fabric advance, and bead ejection.

It is designed to be quickly changed for various bead sizes, and is especially suitable where a wide variety of tire sizes are being manufactured and size changes are frequent; it is intended for covering passenger and light truck beads.

The machine will cover the entire periphery of the bead, or can be set to cover a portion only, such as over the wire lap.

Adjusting the machine for various sizes is done in a matter of seconds, simply by turning two knobs to respective calibrated dial settings. One knob adjusts the machine for a given outside diameter of the bead. The other knob adjusts the machine for a given bead width. The bead height, or thickness, requires no adjustment. No other operating adjustments are normally required.

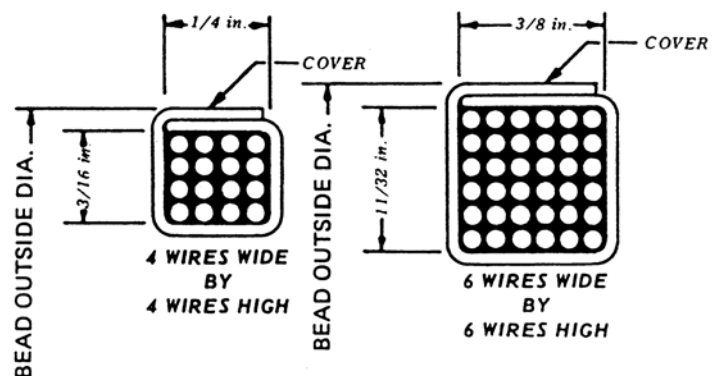
The machine is loaded manually simply by placing the bead in the machine. The loading path is completely unobstructed. After covering, the bead is automatically ejected.

### Size Range

The Model 35 covers beads of sizes from 4 wires wide by 4 wires high to 6 wires wide by 6 wires high, or any combination of these sizes. Special ranges can be quoted.

The range of outside diameters is from 12 inches through 26 inches, or larger if desired.

*See figure at the right.*



**MINIMUM & MAXIMUM BEAD CROSS-SECTION  
COVERED BY THE MODEL 35  
SPECIAL SIZES QUOTED**

The standard Model 35 will also accept beads as small as 10 inches in diameter, if the bead is deformed to a somewhat oval shape when loading it into the machine. For such sizes, there is some slight increase in loading time, and the automatic ejection may be somewhat impaired.

### **Machine Tested on Customers Beads**

To insure proper operation on the purchaser's beads, we ask that the customer furnish samples of his various beads as well as fabric, so that his machine can be checked-out on these materials.

### **Covering Speed**

The machine will cover a 13" bead, automatically cut-off the fabric, and eject the bead in approximately 3 seconds or less. The fabric is automatically advanced for application on the next bead.

The fast speed of the machine will often permit the purchaser to position the Model 35 covering machine adjacent his bead winding machine. Thus, one operator is able to serve both machines at a considerable labor saving.

### **Mechanical Features**

The machine is complete with a fabric let-off, and is completely wired and piped, ready for connection to the electrical mains and 80 lb. air. Nothing else to buy.

The entire machine is mobile, and is mounted on casted wheels. Two floor locks are provided.

All the covering rollers are hardened steel. These rollers rotate in Timken tapered roller bearings. Ball bearings are used throughout the gear power transmission box, and at other locations. The drive gears are enclosed, and are oversize for long life.

### **Floor Area**

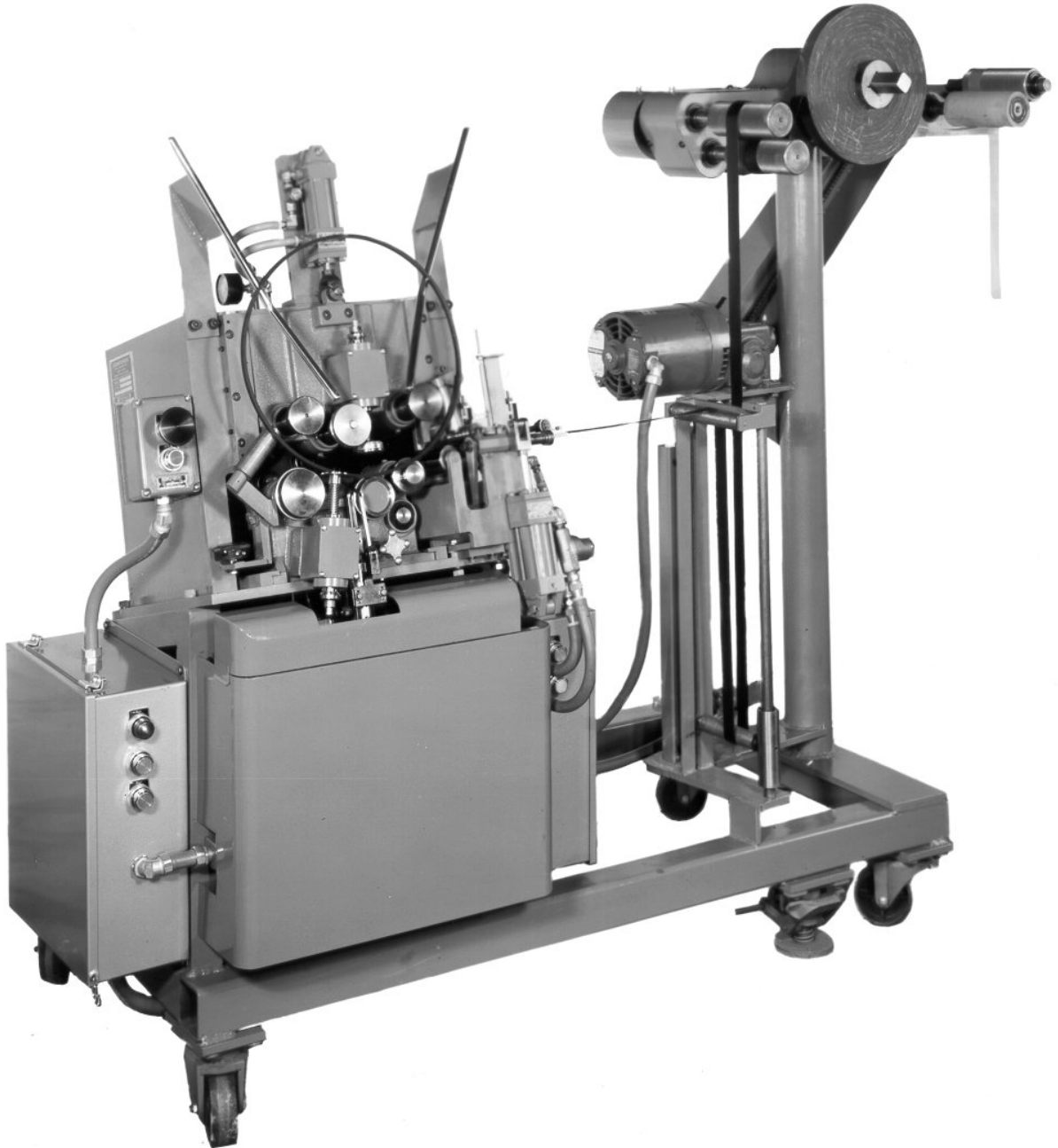
The machine occupies a floor area of approximately 3 ft. x 6 ft.

Specifications subject to change without notice.

***RJS CORPORATION  
3400 MASSILLON RD  
AKRON, OHIO 44312***

***TEL: 330-896-2387  
FAX: 330-896-3282  
www.rjscorp.com***

**R/S** CORPORATION  
3400 MASSILLON ROAD  
AKRON, OHIO 44312  
U.S.A.

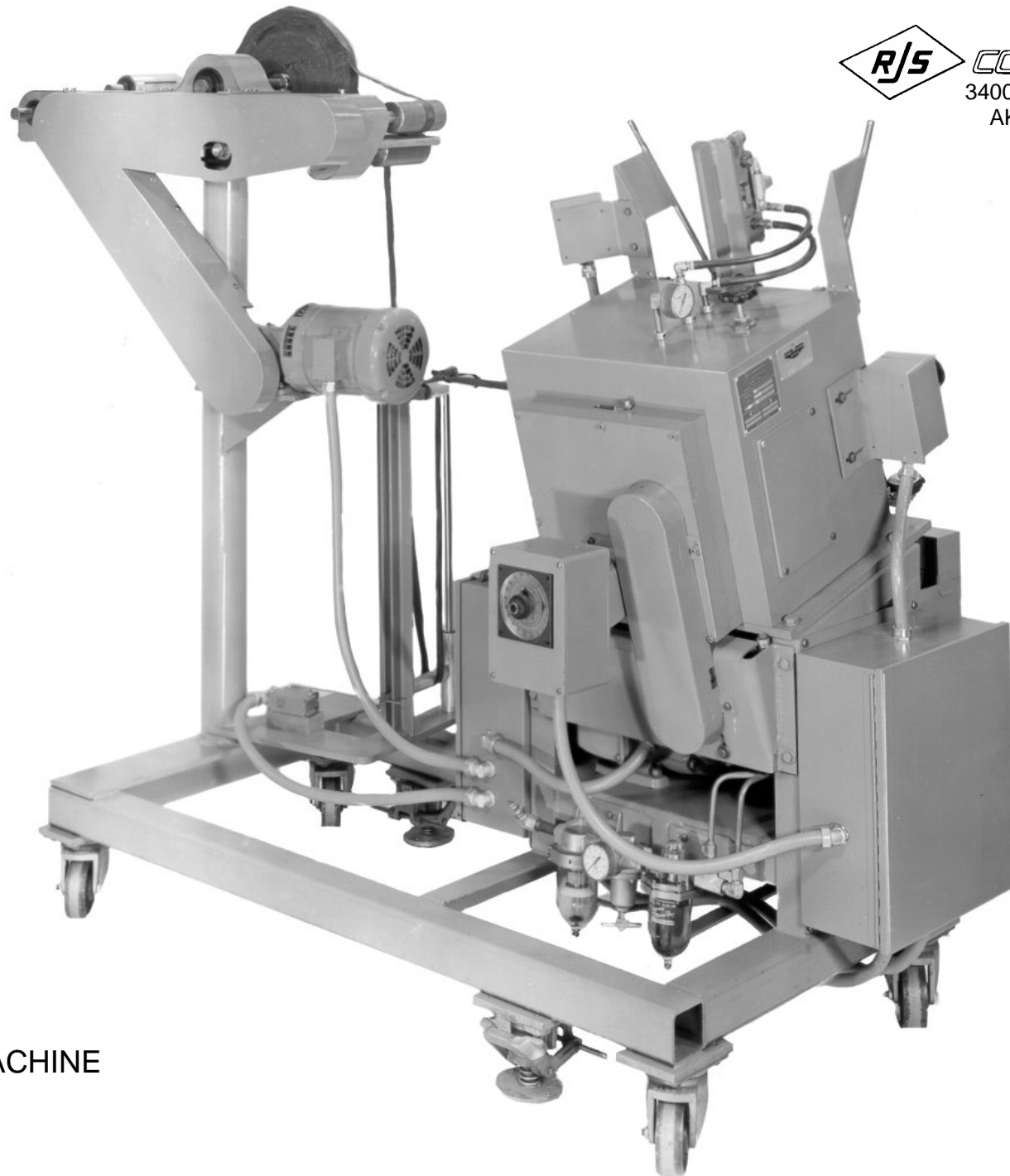


AUTOMATIC  
BEAD COVERING MACHINE  
MODEL 35

FRONT VIEW

CP-9

**R/S** CORPORATION  
3400 MASSILLON ROAD  
AKRON, OHIO 44312  
U.S.A.



AUTOMATIC  
BEAD COVERING MACHINE  
MODEL 35

REAR VIEW

CP-22